



SERVING THE FOOD INDUSTRY SINCE 1951

Countertop Refrigerated Display

ITEM:
MODEL:

44629
FR-CN-0005

44630
FR-CN-0009

44631
FR-CN-0014



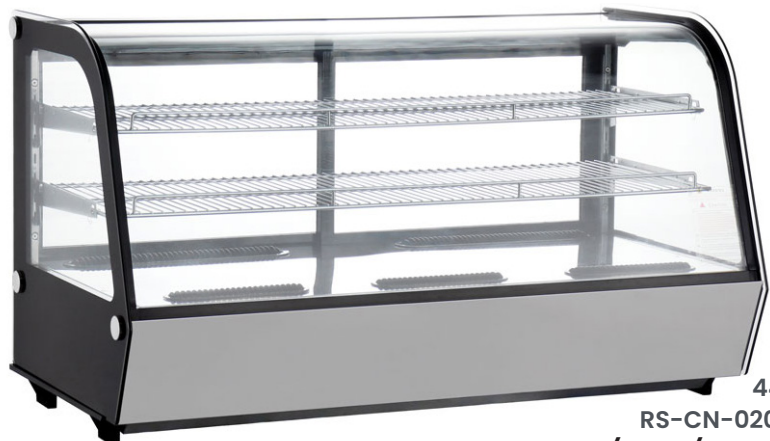
44629
RS-CN-0120-4
27" / 120L / 4.24 Cu. Ft

Boost sales with Omcan's Countertop Refrigerated Display Case!



44630
RS-CN-0160-4
34" / 160 L / 5.65 Cu. Ft

Bright LED lighting showcases your top items, with ventilated cooling and automatic defrost keeping everything fresh and ready to serve.



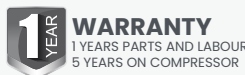
44631
RS-CN-0202-4
48" / 202 L / 7.13 cu. ft.

Telephone: 1-800-465-0234

Fax: (905) 607-0234

Email: sales@omcan.com

Website: www.omcan.com



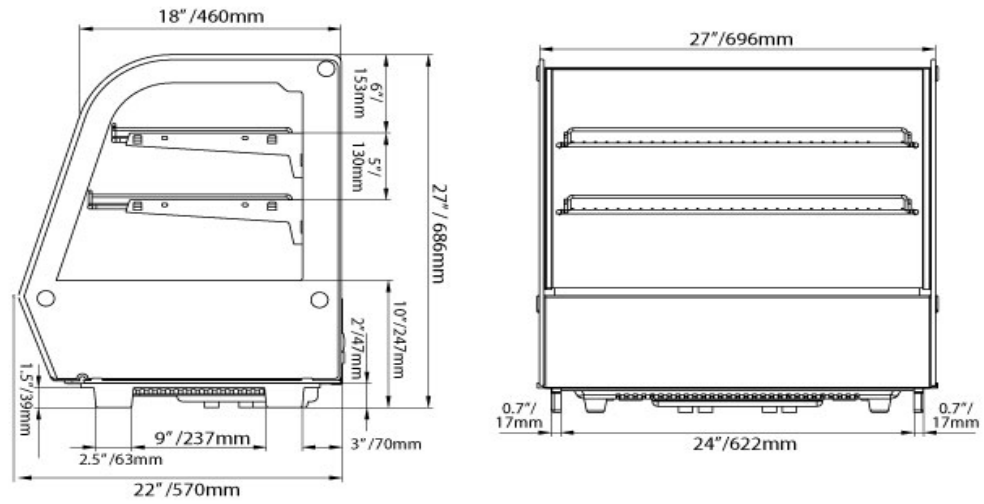
Authorized Dealer

TECHNICAL SPECIFICATION

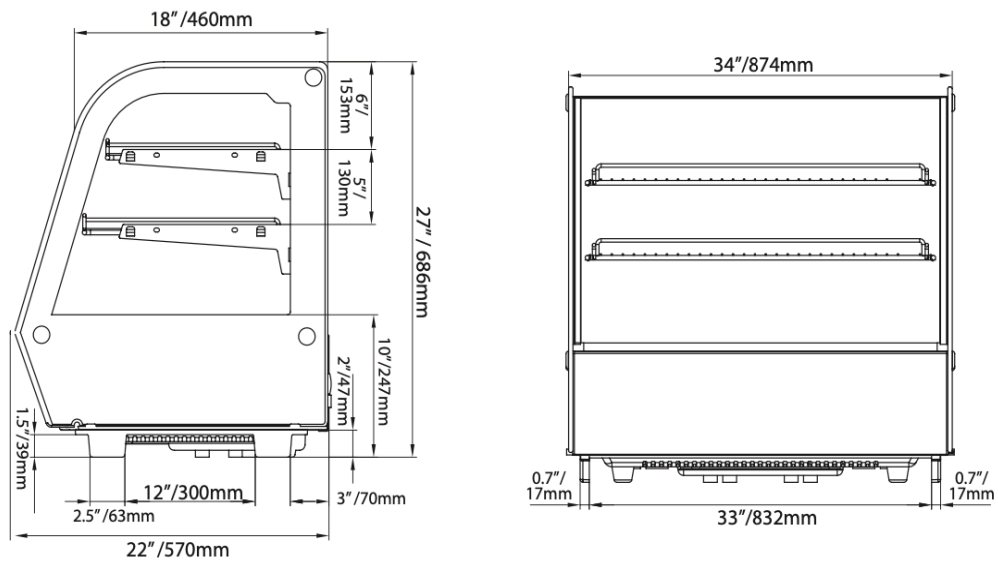
Features	27" / 4.24 cu.ft. capacity	34" / 5.65 cu.ft. capacity	48" / 7.13 cu.ft. capacity
Item	44629	44630	44631
Model	RS-CN-0120-4	RS-CN-0160-4	RS-CN-0202-4
Capacity	120L / 4.24 Cu. Ft	160 L / 5.65 Cu. Ft	202 L / 7.13 cu. ft.
Input Power	0.23 kW	0.33 kW	340 W
Refrigerant	R290	R290	R-290
Temperature Range	0° - 12°C / 32° - 53.5°F	0° - 12°C / 32° - 53.5°F	0° - 12°C / 32° - 53.5°F
Electrical	110V / 60Hz / 1Ph	110V / 60Hz / 1Ph	110V / 60Hz / 1Ph
Shelf Dimensions	25" x 13" / 636 x 335 mm, 25" x 14.4" / 636 x 367 mm	32" x 13" / 813 x 335 mm, 32" x 13" / 813 x 367 mm	Top: 45.5" x 13.18" / 1155.7 x 335 mm Bottom: 45.4" x 14.4" / 1153.16 x 365.76 mm
Shelf Load Capacity	33 lbs. / 15 kg.	33 lbs. / 15 kg.	33 lbs. / 15 kg.
Dimensions (WDH)	27.4" x 22" x 27" / 696 x 570 x 686 mm	34" x 22" x 27" / 874 x 570 x 686mm	48" x 22.4" x 27" / 1219 x 568 x 686 mm
Gross Dimensions	30" x 25" x 30" / 880 x 560 x 686 mm	35" x 22" x 27" / 880 x 560 x 686 mm	50.8" x 24.7" x 28.9" / 365.76 x 627.38 x 734.06 mm
Weight	126 lbs. / 57 kg.	145.5 lbs. / 66 kg.	195.1 lbs. / 88.5 kg.
Gross Weight	132 lbs/ 60 kg.	153 lbs/ 69.5 kg.	203.9 lbs. / 92.5 kg.

TECHNICAL DRAWING

Item: 44629



Item: 44630



Item: 44631

